

FM front-end IC

TDA1574

GENERAL DESCRIPTION

The TDA1574 is a monolithic integrated FM tuner circuit designed for use in the r.f./i.f. section of car radios and home-receivers. The circuit comprises a mixer, oscillator and a linear i.f. amplifier for signal processing, plus the following additional features.

Features

- Keyed automatic gain control (a.g.c.)
- Regulated reference voltage
- Buffered oscillator output
- Electronic standby switch
- Internal buffered mixer driving

QUICK REFERENCE DATA

Supply voltage range (pin 15)	V_p		7 to 16 V
Mixer input bias voltage (pins 1 and 2)	$V_{1,2-4}$	typ.	1 V
noise figure	NF	typ.	9 dB
Oscillator output voltage (pin 6)	V_{6-4}	typ.	2 V
output admittance at pin 6 for $f = 108,7$ MHz	Y22	typ.	$1,5 + j2$ mS
Oscillator output buffer			
D.C. output voltage (pin 9)	V_{9-4}	typ.	6 V
Total harmonic distortion	THD	typ.	-15 dBC
Linear i.f. amplifier output voltage (pin 10)	V_{10-4}	typ.	4,5 V
noise figure at $R_G = 300 \Omega$	NF	typ.	6,5 dB
Keyed a.g.c. output voltage range (pin 18)	V_{18-4}		+0,5 to $V_p - 0,3$ V

FM front-end IC

TDA1574

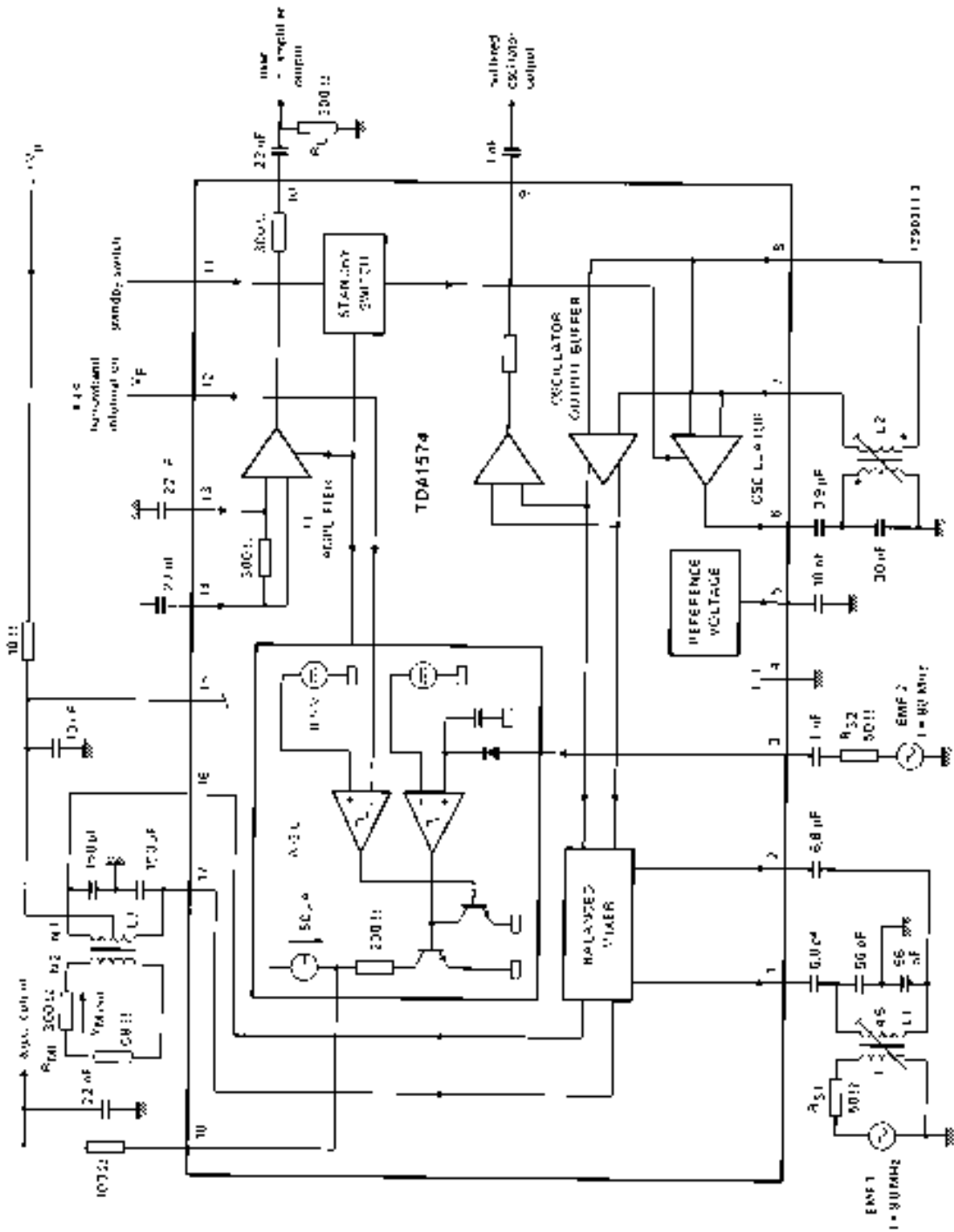


Fig. 1 Block diagram and test circuit.

Coil data

- L1 TOKO MC 108 514HNE 150014S14, L = 0.078 μH
- L2 TOKO MC 111, ES18HNS 200067, L = 0.08 μH
- L3 TOKO coil set JP, N1 = 5,5 - 5,5 turns, N2 = 4 turns

FM front-end IC

TDA1574

FUNCTIONAL DESCRIPTION**Mixer**

The mixer circuit is a double balanced multiplier with a preamplifier (common base input) to obtain a large signal handling range and a low oscillator radiation.

Oscillator

The oscillator circuit is an amplifier with a differential input. Voltage regulation is achieved by utilizing the symmetrical tanh transfer function to obtain low order 2nd harmonics.

Linear IF amplifier

The IF amplifier is a one stage, differential input, wideband amplifier with an output buffer.

Keyed AGC

The AGC processor combines narrow- and wideband information via an RF level detector, a comparator and an ANDing stage. The level dependent, current sinking output has an active load, which sets the AGC threshold.

The AGC function can either be controlled by a combination of wideband and narrowband information (keyed AGC), or by a wideband information only, or by narrowband information only. If only narrowband AGC is wanted pin 3 should be connected to pin 5. If only wideband AGC is wanted pin 12 should be connected to pin 13.

RATINGS

Limiting values in accordance with the Absolute Maximum System (IEC 134)

Supply voltage (pin 15)	$V_P = V_{15-4}$	max.	18 V
Mixer output voltage (pins 16 and 17)	$V_{16, 17-4}$	max.	35 V
Standby switch input voltage (pin 11)	V_{11-4}	max.	23 V
Reference voltage (pin 5)	V_{5-4}	max.	7 V
Field strength input voltage (pin 12)	V_{12-4}	max.	7 V
Total power dissipation	P_{tot}	max.	800 mW
Storage temperature range	T_{stg}		-55 to + 150 °C
Operating ambient temperature range	T_{amb}		-40 to + 85 °C

THERMAL RESISTANCE

From junction to ambient (in free air)	$R_{th j-amb}$	=	80 K/W
--	----------------	---	--------

Note

All pins are short-circuit protected to ground.

FM front-end IC

TDA1574

CHARACTERISTICS $V_P = V_{15-4} = 8,5 \text{ V}$; $T_{\text{amb}} = 25 \text{ }^\circ\text{C}$; measured in test circuit Fig. 1; unless otherwise specified

parameter	symbol	min.	typ.	max.	unit
Supply (pin 15)					
Supply voltage	$V_P = V_{15-4}$	7	—	16	V
Supply current (except mixer)	$I_P = I_{15}$	16	23	30	mA
Reference voltage (pin 5)	V_{5-4}	3,9	4,1	4,4	V
Mixer					
<i>D.C. characteristics</i>					
Input bias voltage (pins 1 and 2)	$V_{1,2-4}$	—	1	—	V
Output voltage (pins 16 and 17)	$V_{16,17-4}$	4	—	35	V
Output current (pin 16 + pin 17)	$I_{16} + I_{17}$	—	4,0	—	mA
<i>A.C. characteristics ($f_i = 98 \text{ MHz}$)</i>					
Noise figure	NF	—	9	—	dB
Noise figure including transforming network	NF	—	11	—	dB
3rd order intercept point	$EMF1_{IP3}$	—	115	—	dB μ V
Conversion power gain	G_p	—	14	—	dB
	$10 \log \frac{4 (V_{M(\text{out})} 10,7 \text{ MHz})^2}{(EMF1 98 \text{ MHz})^2} \times \frac{R_{S1}}{R_{ML}}$	—	14	—	dB
Input resistance (pins 1 and 2)	$R_{1,2-4}$	—	14	—	Ω
Output capacitance (pins 16 and 17)	$C_{16,17}$	—	13	—	pF
Oscillator					
<i>D.C. characteristics</i>					
Input voltage (pins 7 and 8)	$V_{7,8-4}$	—	1,3	—	V
Output voltage (pin 6)	V_{6-4}	—	2	—	V
<i>A.C. characteristics ($f_{\text{osc}} = 108,7 \text{ MHz}$)</i>					
Residual FM (Bandwidth 300 Hz to 15 kHz); de-emphasis = 50 μ s	Δf	—	2,2	—	Hz

FM front-end IC

TDA1574

parameter	symbol	min.	typ.	max.	unit
Linear i.f. amplifier					
<i>D.C. characteristics</i>					
Input bias voltage (pin 13)	V ₁₃₋₄	—	1,2	—	V
Output voltage (pin 10)	V ₁₀₋₄	—	4,5	—	V
<i>A.C. characteristics (f_i = 10,7 MHz)</i>					
Input impedance	R ₁₄₋₁₃	240	300	360	Ω
	C ₁₄₋₁₃	—	13	—	pF
Output impedance	R ₁₀₋₄	240	300	360	Ω
	C ₁₀₋₄	—	3	—	pF
Voltage gain					
$20 \log \frac{V_{10-4}}{V_{14-13}}$	G _{VIF}	27	30	—	dB
T _{amb} = -40 to + 85 °C	ΔG _{VIF}	—	0	—	dB
1 dB compression point (r.m.s. value)					
at V _p = 8,5 V	V _{10-4rms}	—	750	—	mV
at V _p = 7,5 V	V _{10-4rms}	—	550	—	mV
Noise figure					
at R _S = 300 Ω	NF	—	6,5	—	dB
Keyed a.g.c.					
<i>D.C. characteristics</i>					
Output voltage range (pin 18)	V ₁₈₋₄	0,5	—	V _p -0,3	V
A.G.C. output current					
at I ₃ = φ or V ₁₂₋₄ = 450 mV; V ₁₈₋₄ = V _p /2	-I ₁₈	25	50	100	μA
at V ₃₋₄ = 2 V and V ₁₂₋₄ = 1 V; V ₁₈₋₄ = V ₁₅₋₄	I ₁₈	2	—	5	mA

FM front-end IC

TDA1574

CHARACTERISTICS (continued)

parameter	symbol	min.	typ.	max.	unit
Narrowband threshold					
at $V_{3-4} = 2 \text{ V}$; $V_{12-4} = 550 \text{ mV}$	V_{18-4}	—	—	1	V
at $V_{3-4} = 2 \text{ V}$; $V_{12-4} = 450 \text{ mV}$	V_{18-4}	$V_{p-0,3}$	—	—	V
<i>A.C. characteristics</i> ($f_i = 98 \text{ MHz}$)					
Input impedance					
	R_{3-4}	—	4	—	$k\Omega$
	C_{3-4}	—	3	—	pF
Wideband threshold (r.m.s. value) (see figures 2, 3, 4 and 5)					
at $V_{12-4} = 0,7 \text{ V}$; $V_{18-4} = V_p/2$; $I_{18} = 0$	$EMF2_{rms}$	—	17	—	mV
Oscillator output buffer (pin 9)					
D.C. output voltage	V_{9-4}	—	6,0	—	V
Oscillator output voltage (r.m.s. value)					
at $R_L = \infty$; $C_L = 2 \text{ pF}$	$V_{9-4}(rms)$	—	110	—	mV
at $R_L = 75 \Omega$	$V_{9-4}(rms)$	30	50	—	mV
D.C. output impedance	R_{9-15}	—	2,5	—	$k\Omega$
Signal purity					
Total harmonic distortion	THD	—	—15	—	dBc
Spurious frequencies					
at $EMF1 = 0,2 \text{ V}$; $R_{S1} = 50 \Omega$	f_S	—	—35	—	dBc
Electronic standby switch (pin 11)					
Oscillator; linear i.f. amplifier; a.g.c.					
at $T_{amb} = -40 \text{ to } +85 \text{ }^\circ\text{C}$					
Input switching voltage					
for threshold ON; $V_{18-4} = \geq V_p - 3 \text{ V}$	V_{11-4}	0	—	2,3	V
for threshold OFF; $V_{18-4} = \leq 0,5 \text{ V}$	V_{11-4}	3,3	—	23	V
Input current					
at ON condition; $V_{11-4} = 0 \text{ V}$	$-I_{11}$	—	—	150	μA
at OFF condition; $V_{11-4} = 23 \text{ V}$	I_{11}	—	—	10	μA
Input voltage					
at $I_{11} = \phi$	V_{11-4}	—	—	4,4	V

FM front-end IC

TDA1574

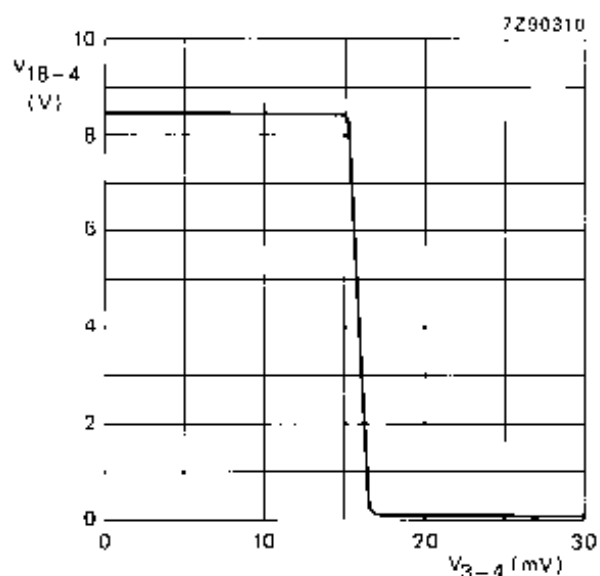


Fig. 2 Keyed a.g.c. output voltage V_{18-4} as a function of r.m.s. input voltage V_{3-4} . Measured in test circuit Fig. 1 at $V_{12-4} = 0,7$ V; $I_{18} = \phi$.

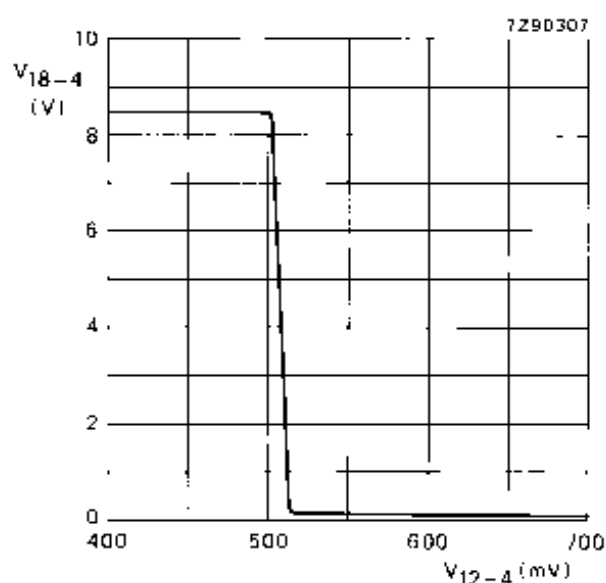


Fig. 3 Keyed a.g.c. output voltage V_{18-4} as a function of input voltage V_{12-4} . Measured in test circuit Fig. 1 at $V_{3-4} = 2$ V; $I_{18} = \phi$.

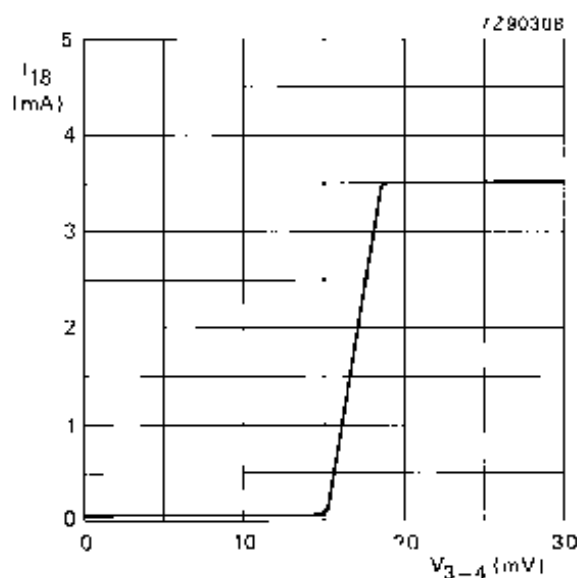


Fig. 4 Keyed a.g.c. output current I_{18} as a function of r.m.s. input voltage V_{3-4} . Measured in test circuit Fig. 1 at $V_{12-4} = 0,7$ V; $V_{18-4} = 8,5$ V.

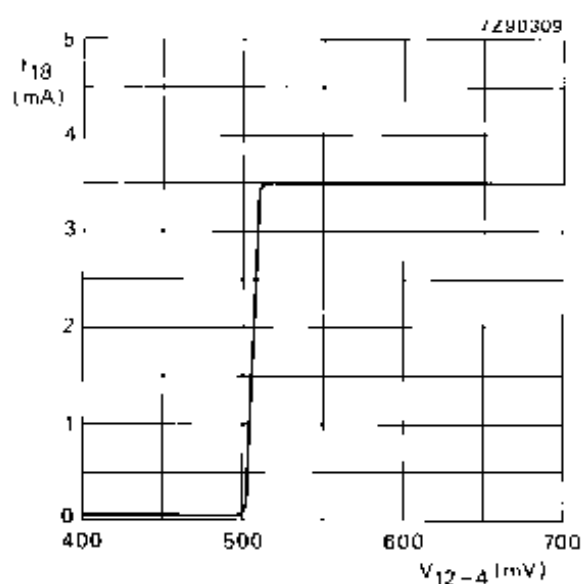
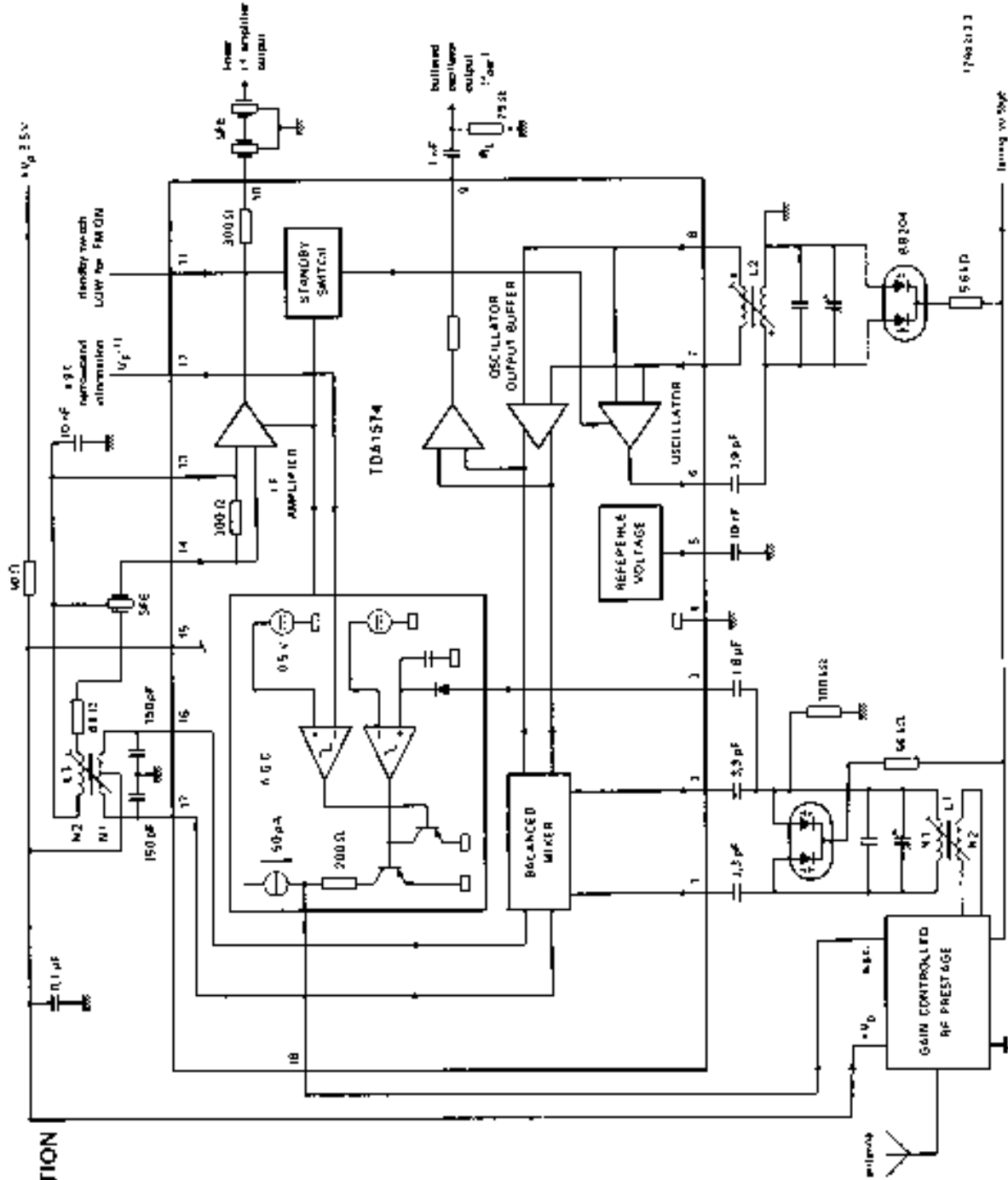


Fig. 5 Keyed a.g.c. output current I_{18} as a function of input voltage V_{12-4} . Measured in test circuit Fig. 1 at $V_{3-4} = 2$ V; $V_{18-4} = 8,5$ V.

FM front-end IC

TDA1574



APPLICATION INFORMATION

Coil data
 L1: TOKO MC-108,
 514HNE-15023St5,
 N1 = 5.5 turns, N2 = 1 turn
 L2: see Fig. 1
 L3:

(1) Field strength indication of main I.F. amplifier.