

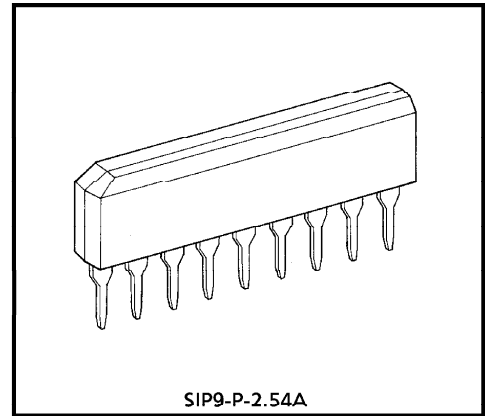
TA8125S

DUAL PRE-AMPLIFIER

The TA8125S is dual output preamplifier designed for car or home use.

FEATURES

- High Open Loop Voltage Gain
: $G_{VO} = 100\text{dB}$ (Typ.) at $f = 1\text{kHz}$
- Excellent Channel Separation and High Ripple Rejection
: $CH_{sep} = 65\text{dB}$ (Typ.)
($f = 10\text{kHz}$, $R_g = 2.2\text{k}\Omega$, $V_{OUT} = 0.775V_{rms}$ (0dBm))
: R.R. = 50dB (Typ.)
($f_{ripple} = 100\text{Hz}$, $R_g = 2.2\text{k}\Omega$, $V_{OUT} = 0.775V_{rms}$ (0dBm))
- Low Noise
: $V_{NI} = 1.0\mu V_{rms}$ (Typ.) at $R_g = 2.2\text{k}\Omega$, $BW = 20\text{Hz} \sim 20\text{kHz}$, NAB EQ
- Wide Operating Supply Voltage Range : $V_{CC}(\text{opr.}) = 6 \sim 16\text{V}$ ($T_a = 25^\circ\text{C}$)

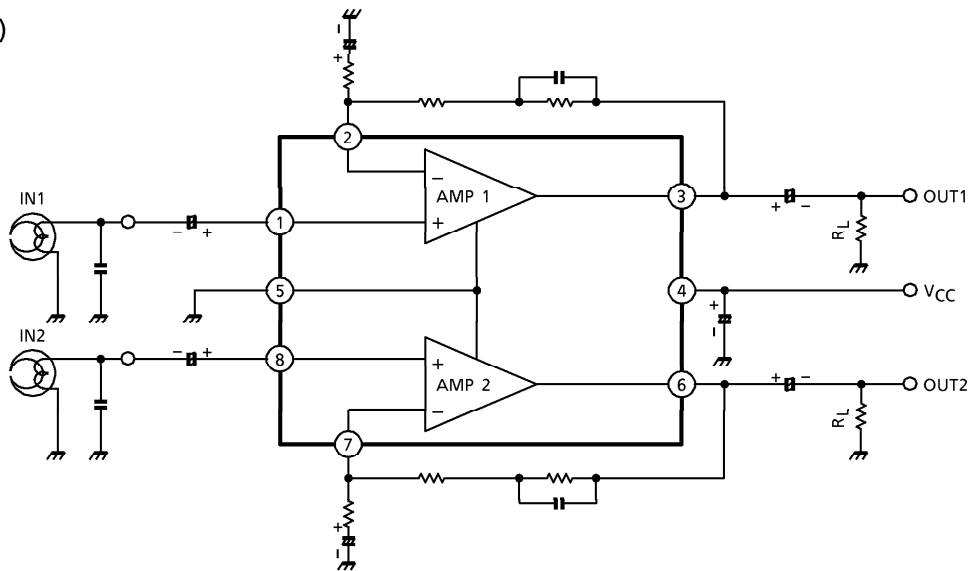


SIP9-P-2.54A

Weight : 0.92g (Typ.)

BLOCK DIAGRAM

(NAB EQ)



961001EBA1

- TOSHIBA is continually working to improve the quality and the reliability of its products. Nevertheless, semiconductor devices in general can malfunction or fail due to their inherent electrical sensitivity and vulnerability to physical stress. It is the responsibility of the buyer, when utilizing TOSHIBA products, to observe standards of safety, and to avoid situations in which a malfunction or failure of a TOSHIBA product could cause loss of human life, bodily injury or damage to property. In developing your designs, please ensure that TOSHIBA products are used within specified operating ranges as set forth in the most recent products specifications. Also, please keep in mind the precautions and conditions set forth in the TOSHIBA Semiconductor Reliability Handbook.
- The products described in this document are subject to foreign exchange and foreign trade control laws.
- The information contained herein is presented only as a guide for the applications of our products. No responsibility is assumed by TOSHIBA CORPORATION for any infringements of intellectual property or other rights of the third parties which may result from its use. No license is granted by implication or otherwise under any intellectual property or other rights of TOSHIBA CORPORATION or others.
- The information contained herein is subject to change without notice.

MAXIMUM RATINGS (Ta = 25°C)

CHARACTERISTIC	SYMBOL	RATING	UNIT
Supply Voltage	V _{CC}	16	V
Power Dissipation (Note)	P _D	700	mW
Operating Temperature	T _{opr}	- 30~80	°C
Storage Temperature	T _{stg}	- 55~150	°C

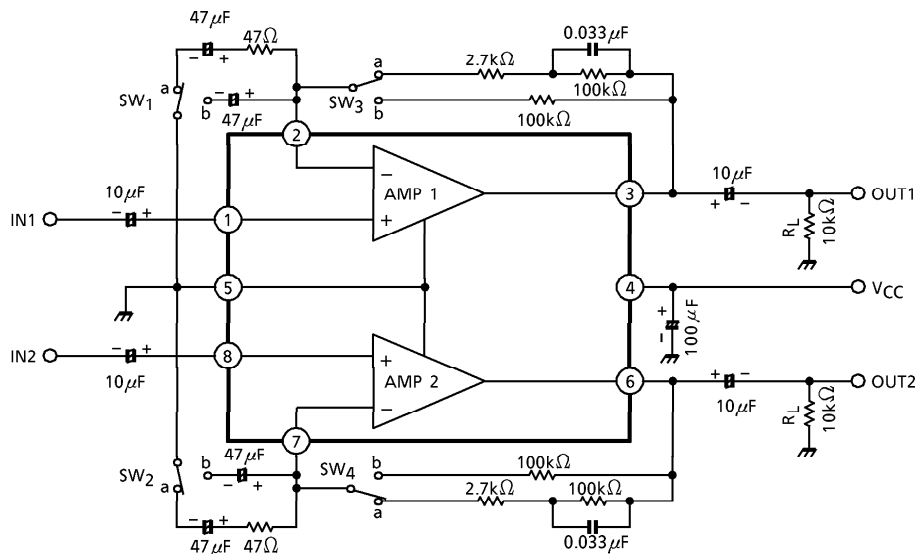
(Note) Derated above Ta = 25°C in the proportion of 5.6mW/°C.

ELECTRICAL CHARACTERISTICS

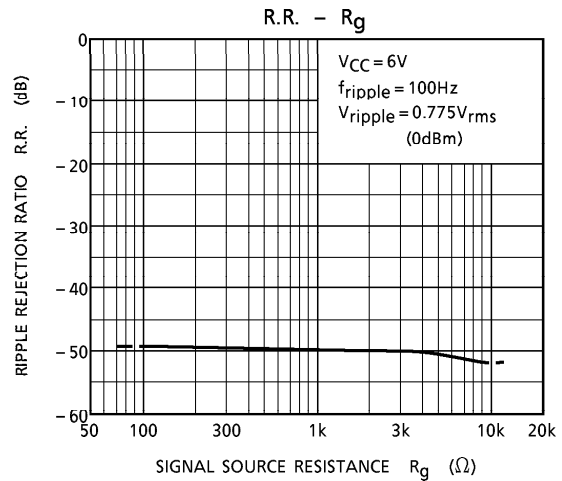
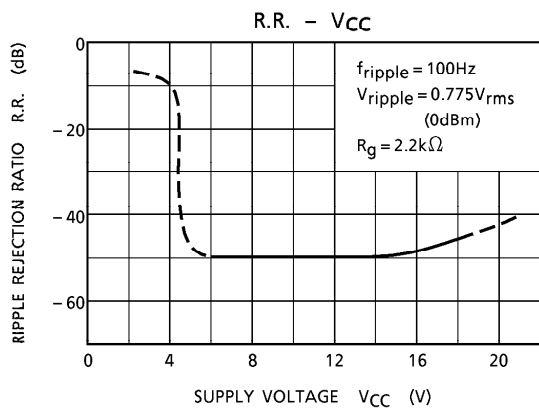
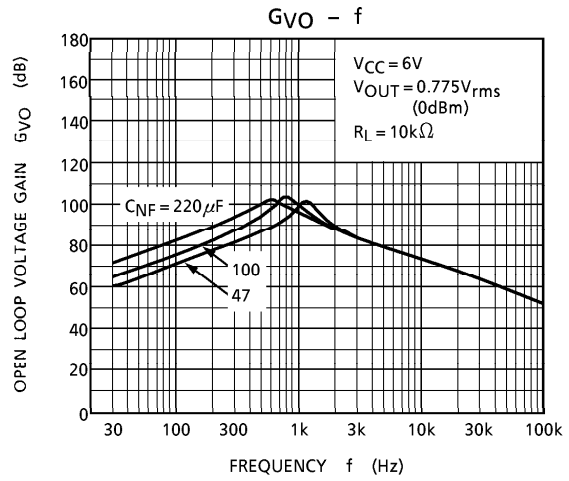
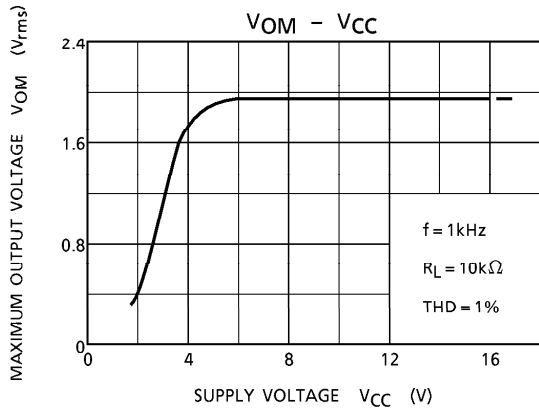
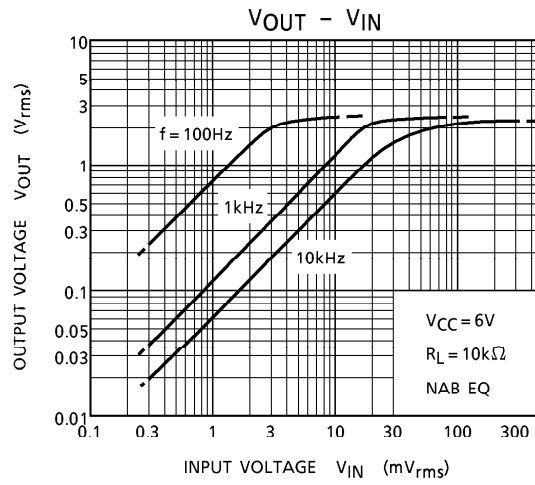
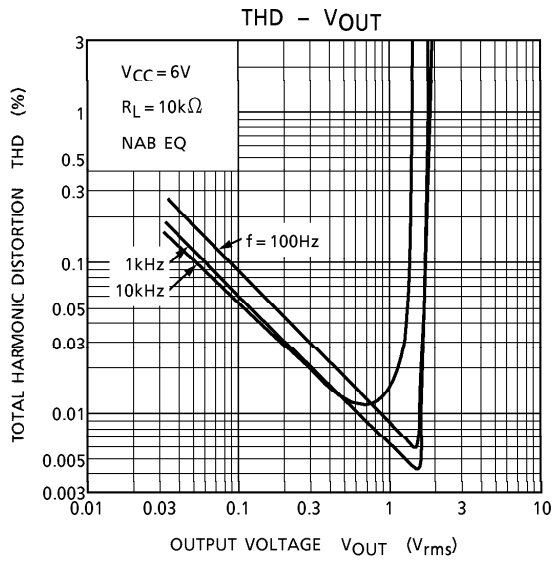
(Unless otherwise specified, V_{CC} = 6V, f = 1kHz, R_g = 600Ω, R_L = 10kΩ, Ta = 25°C)

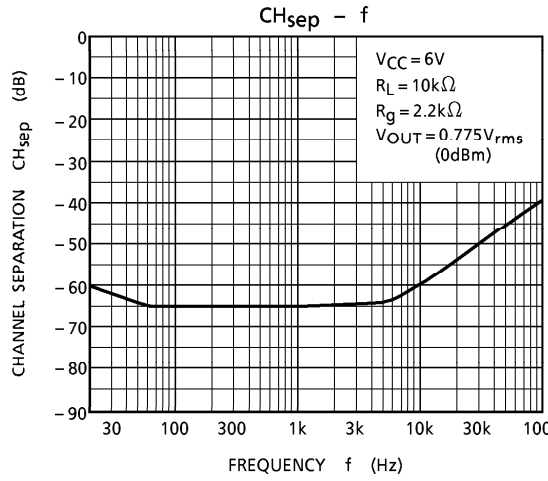
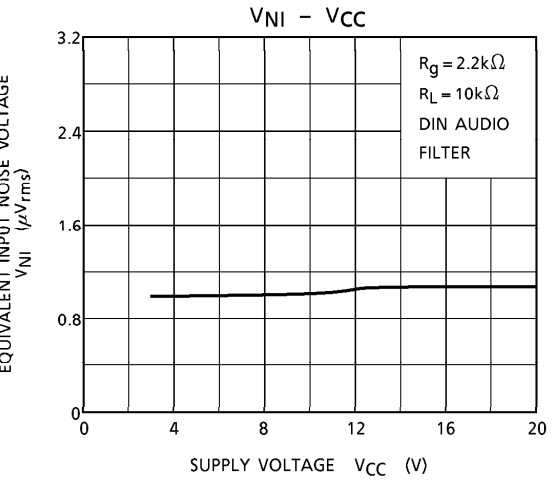
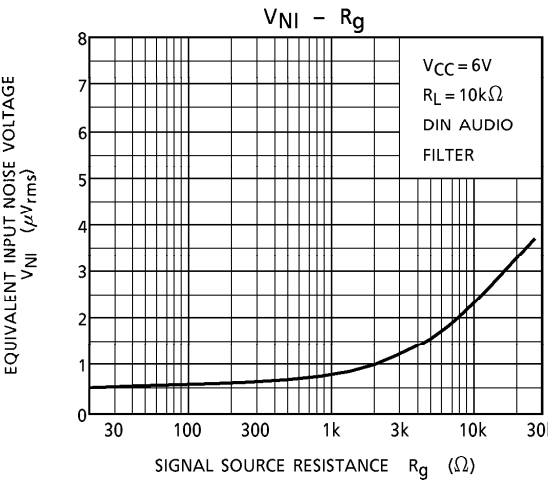
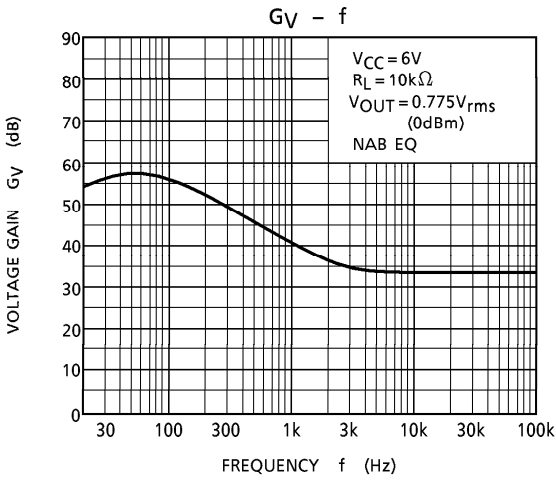
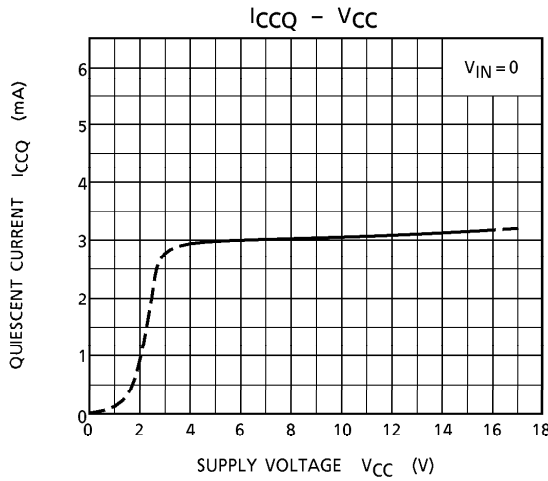
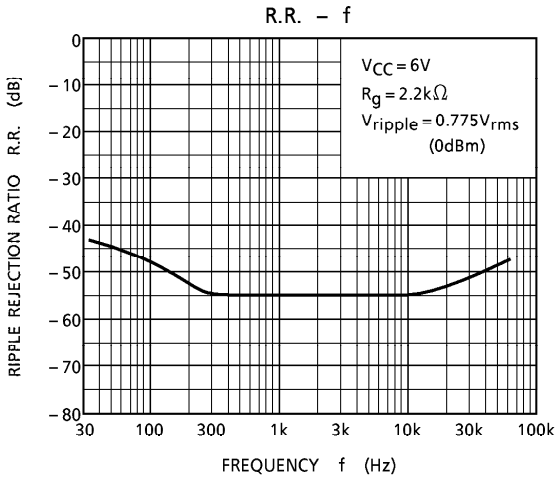
CHARACTERISTIC	SYMBOL	TEST CIRCUIT	TEST CONDITION	MIN.	TYP.	MAX.	UNIT
Quiescent Current	I _{CCQ}	—	V _{IN} = 0	—	3	6	mA
Voltage Gain	G _{VO}	—	V _{OUT} = 7.75μV _{rms} (- 100dBm)	75	100	—	dB
	G _V	—	V _{OUT} = 0.775V _{rms} (0dBm)	38.5	41.5	44.5	
Maximum Output Voltage	V _{OM}	—	THD = 1%	1.0	1.8	—	V
Equivalent Input Noise Voltage	V _{NI}	—	R _g = 2.2kΩ, B.W = 20Hz~20kHz	—	1.0	1.7	μV _{rms}
Input Resistance	R _{IN}	—	—	50	150	—	kΩ
Total Harmonic Distortion	THD	—	V _{OUT} = 0.775V _{rms} (0dBm)	—	0.04	0.25	%
Channel Separation	CH _{sep}	—	f = 10kHz, V _{OUT} = 0.775V _{rms} (0dBm)	—	65	—	dB
Ripple Rejection Ratio	R.R.	—	f = 100Hz, R _g = 2.2kΩ	—	50	—	dB

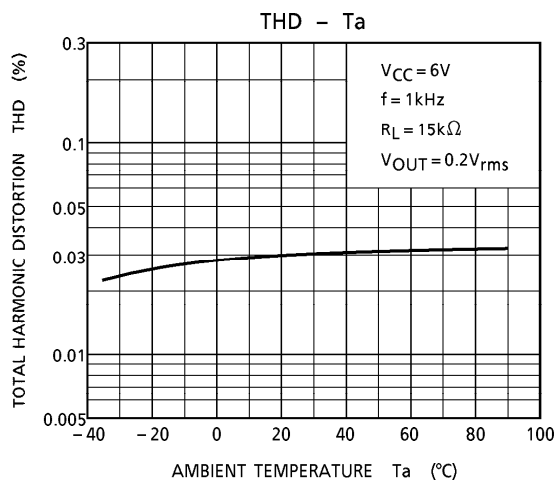
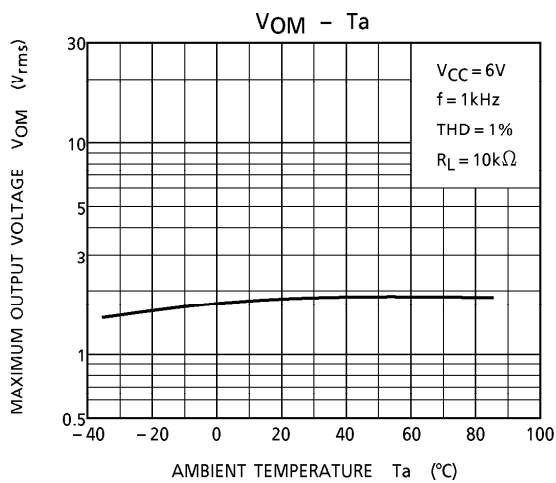
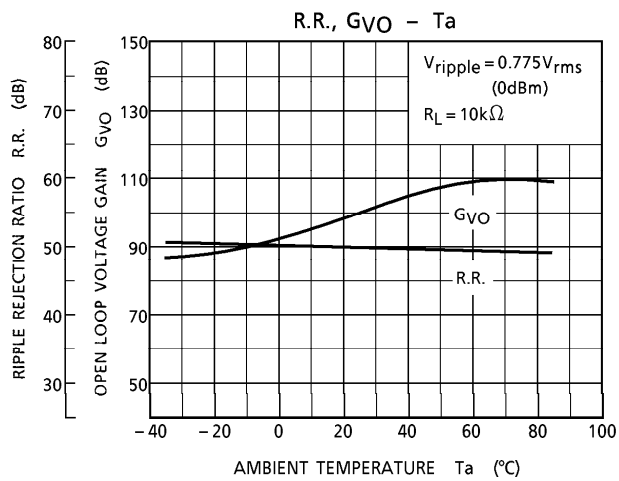
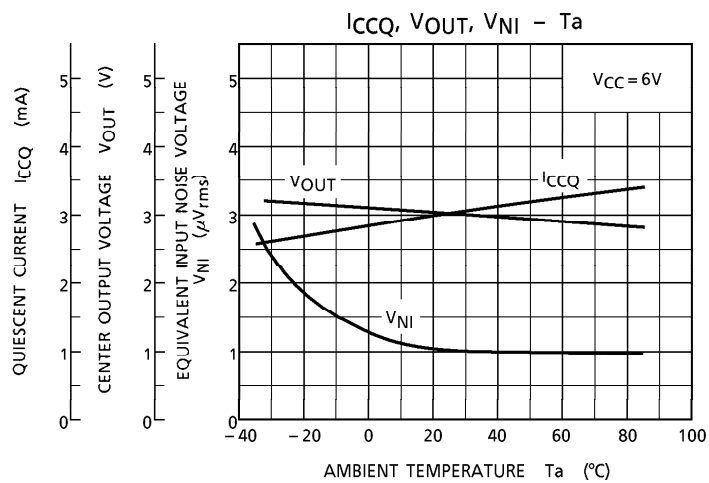
TEST CIRCUIT (⊙ pin open or GND)



PIN⊙ : NC
 (*) G_{VO} : SW₁~SW₄→b SIDE

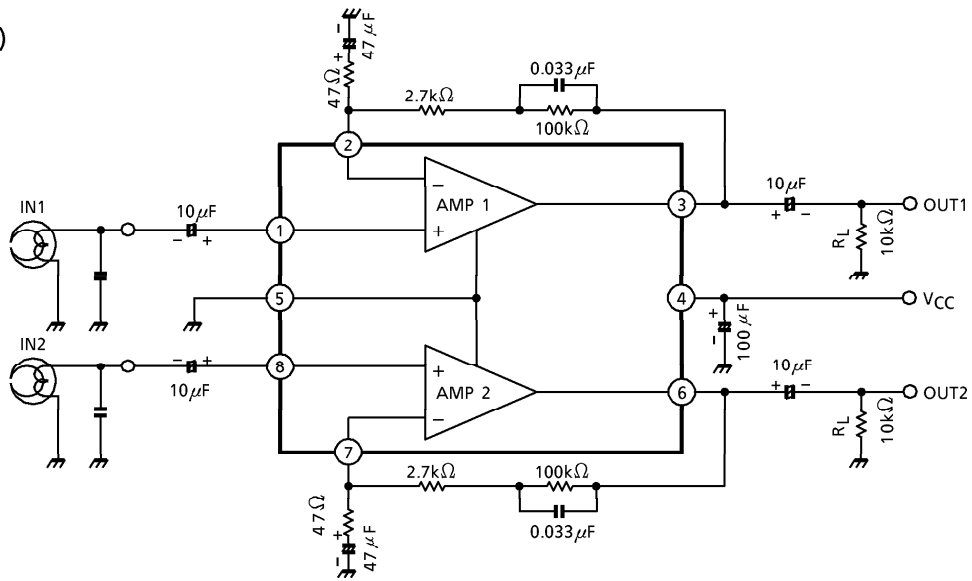






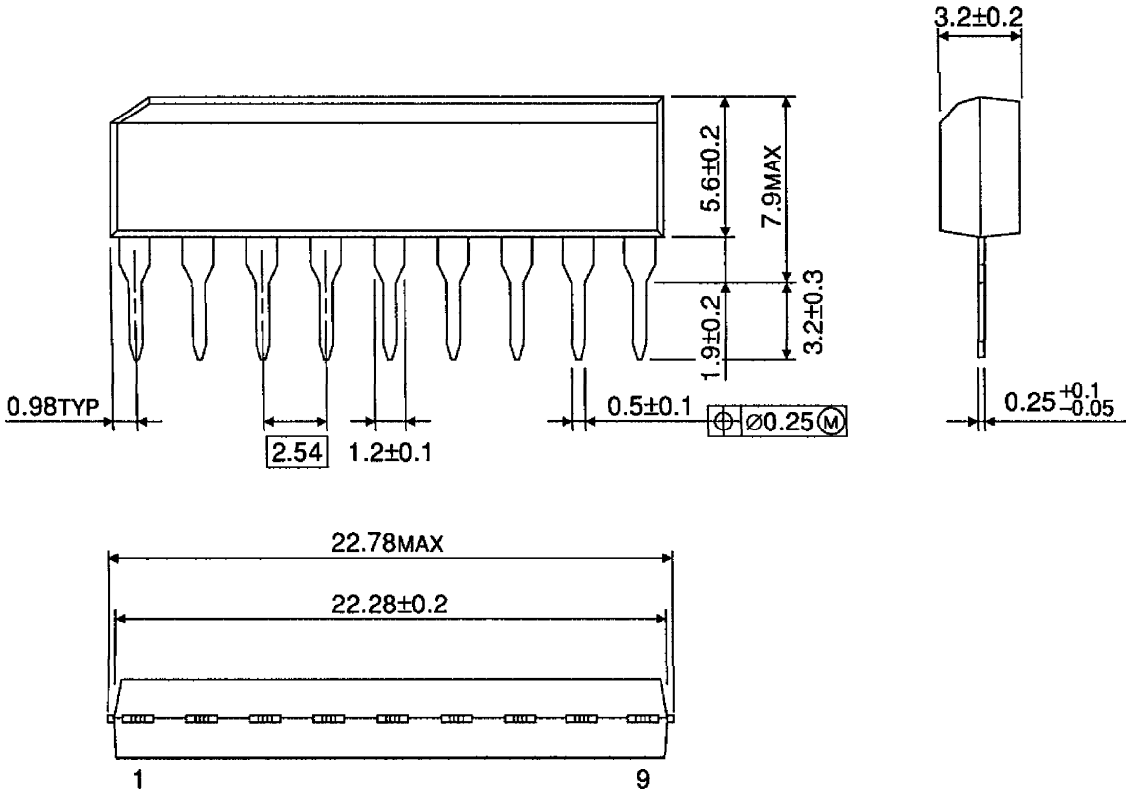
APPLICATION CIRCUIT

(NAB EQ)



OUTLINE DRAWING
SIP9-P-2.54A

Unit : mm



Weight : 0.92g (Typ.)